

Touch Safe Power Distribution Block High Short-Current Rating

TYPE PDE

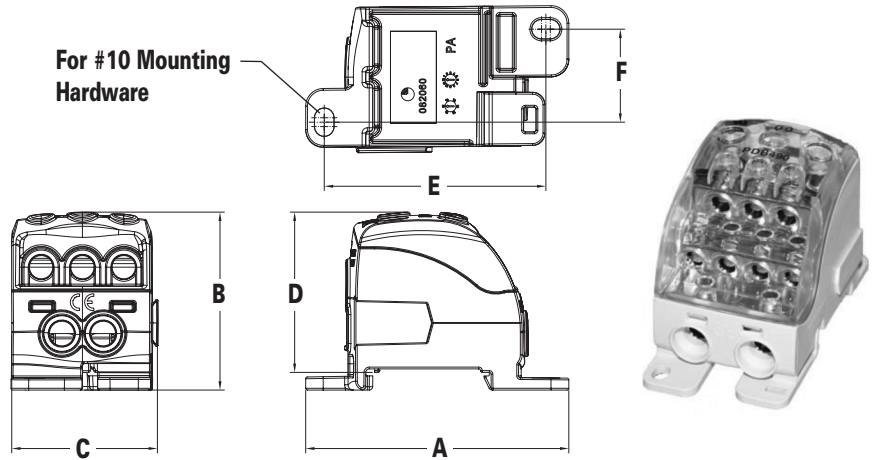
Features

- IP20 touch safe protection
- Transparent cover included
- Compact size
- High Short Circuit Current Rated (SCCR)
- Manufactured from high strength copper alloy
- Electro nickel and tin plated
- Surface or DIN rail mountable
- Jumper option for PDB-160 and 210

Benefits

- Minimizes risk of electrical shock
- Aids visual inspection
- Ideal for use in confined space
- Added protection
- Suitable for use with copper conductor
- Provides low contact resistance
- Easily mounts into new or existing enclosure
- Connects two or three PDB's, eliminates need for multiple wire inputs

Catalog Number	Dimensions - in. (mm)					
	A	B	C	D	E	F
PDB-160	2.677 (68.0)	1.929 (49.0)	1.299 (33.0)	1.732 (44.0)	2.214 (56.2)	0.768 (19.5)
PDB-210	2.756 (70.0)	2.114 (53.7)	1.461 (37.1)	1.917 (48.7)	2.303 (58.5)	0.929 (23.6)
PDB-220	2.933 (74.5)	1.984 (50.4)	1.614 (41.0)	1.787 (45.4)	2.470 (62.7)	1.035 (26.3)
PDB-270	2.874 (73.0)	2.146 (54.5)	2.067 (52.5)	1.949 (49.5)	2.461 (62.5)	1.457 (37.0)
PDB-400	3.740 (95.0)	3.032 (77.0)	2.071 (52.6)	2.854 (72.5)	3.238 (82.2)	1.528 (38.8)
PDB-490	3.740 (95.0)	3.032 (77.0)	2.071 (52.6)	2.854 (72.5)	3.238 (82.2)	1.528 (38.8)



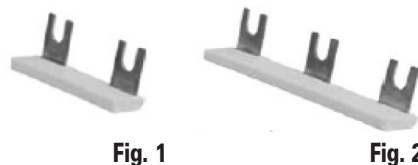
Catalog Number	Amps	Line			Load			High SCCR Conditions							SCCR RMS SYM (kA)	
		Conductor Opening Configuration Per Pole	UL Rated Conductor Range	Screw Drive	Conductor Opening Configuration Per Pole	UL Rated Conductor Range	Screw Drive	Rated Conductor Range		Overcurrent Protection Fuse Required Class/Max AMP Rating (A)						
								Line	Load	J	T	RK1	RK5	G		CC
PDB-160‡	85		(1) 4-14 (1) 6-16 ^B	Slotted Phillips Combo		(3) 8-16 (2) 6-16	2.5 mm Hex 3 mm Hex	(1) 4-14	(3) 8-14 (2) 4-14	60	60	60	30	-	30	200 100
PDB-210‡	115		(1) 2-12 (1) 6-16 ^B	Slotted Phillips Combo		(3) 6-16 (2) 4-14	2.5 mm Hex 3 mm Hex	(1) 2-12	(3) 6-16 (2) 4-14	60	60	60	30	-	30	200 100
PDB-220‡	150		(1) 2/0-8 3.2 x 15.5 mm†	5 mm Hex 2.5 mm Hex		(3) 6-16 (2) 4-14	3 mm Hex 3 mm Hex	(1) 1/0-10	(3) 6-14 (2) 4-14	60	60	60	30	-	30	200 100
PDB-270‡	200		(1) 3/0-6 (2) 2-12 ^B	6 mm Hex Slotted Phillips Combo		(8) 4-14	3 mm Hex	(1) 3/0-6	(8) 4-14	60	60	60	30	-	30	200 100
PDB-400*	250		(1) 250kcmil-2 10 x 24 mm†	6 mm Hex 3 mm Hex		(3) 4-14 (4) 6-16 (2) 2-12	3 mm Hex 3 mm Hex 4 mm Hex	(1) 250kcmil-2	(3) 4-14 (4) 6-14 (2) 2-12	60	60	60	30	-	30	200 100
PDB-490*	310		(1) 350kcmil-3/0 10 x 24 mm†	6 mm Hex 3 mm Hex		(3) 4-14 (4) 6-16 (2) 2-12	3 mm Hex 3 mm Hex 4 mm Hex	(1) 300kcmil-2/0	(3) 4-14 (4) 6-14 (2) 2-12	60	60	60	30	-	30	200 100

All wire sizes, unless noted otherwise, are American Wire Gauge (AWG) Recognized to UL1059, 90° C, 600V and IEC standard 60947-7-1
† - flat conductor B - bridge conductor

‡ Rated to 1000V DC
* Rated to 1500V DC

Jumpers

Catalog Number	Figure Number	Description
JMP-2-160	1	Connect 2 PDB-160's
JMP-3-160	2	Connect 3 PDB-160's
JMP-2-210	1	Connect 2 PDB-210's
JMP-3-210	2	Connect 3 PDB-210's



All PDB blocks are single pole and snap together for multiple pole configurations
For further details on conductors, fuse ratings, and additional SCCR ratings, please refer to product information sheet